

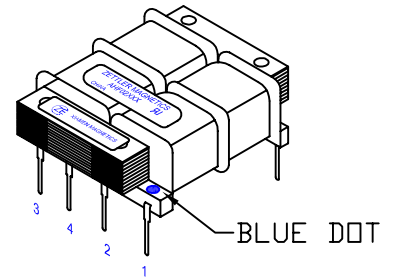
TRANSFORMER, POWER, PCB 2.5 VA
 DUAL 115/230V PRIMARIES AND DUAL SECONDARIES

1. ELECTRICAL SPECIFICATIONS:

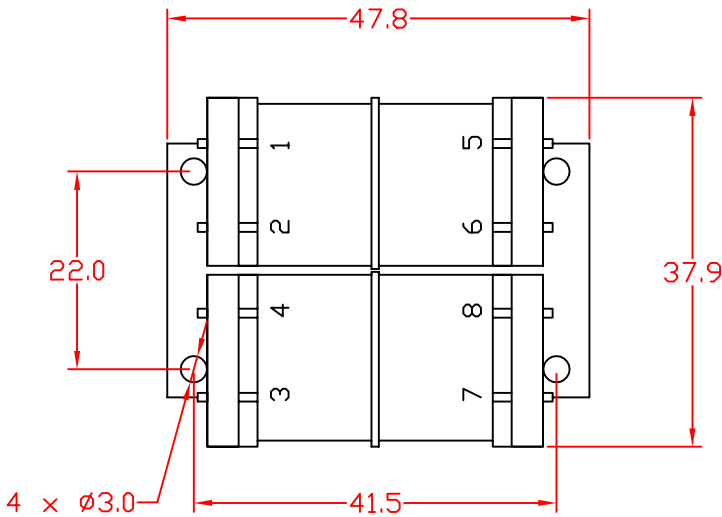
- A. Maximum Power: 2.5VA
- B. Input Voltage and Frequency: 115/230V± 10% @ 50/60Hz
- C. Secondary Voltage: See Electrical Table
- D. Temperature Rise: 45° C MAX allowed
- E. Excitation Current: 40 mA MAX
- F. Hi-Pot: 2500Vrms 1 minute @ Pri. to Sec.
 1500Vrms 1 minute @ Pri. to Core
 1500Vrms 1 minute @ Sec. to Core

G. Safety:

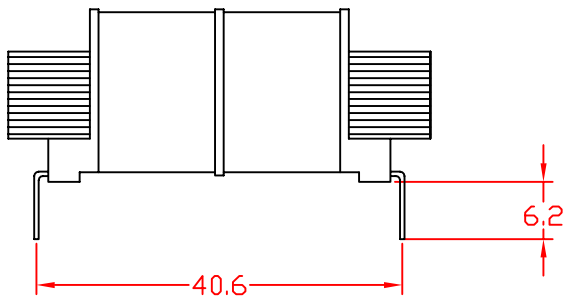
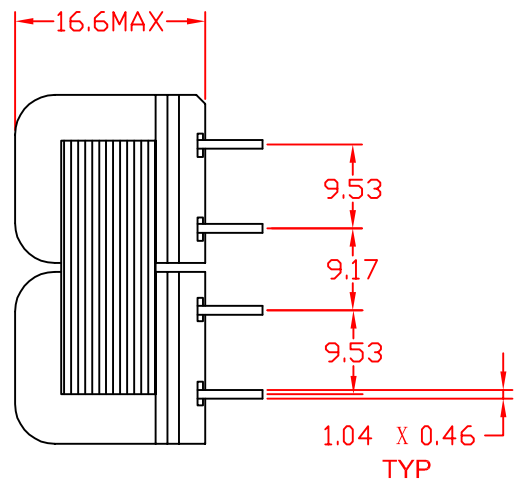
Insulation System ZM-130-5, Class B, UL File No.E177235
 UL506, General Purpose, US and Canada, File No.E177998



2. MECHANICAL SPECIFICATIONS:



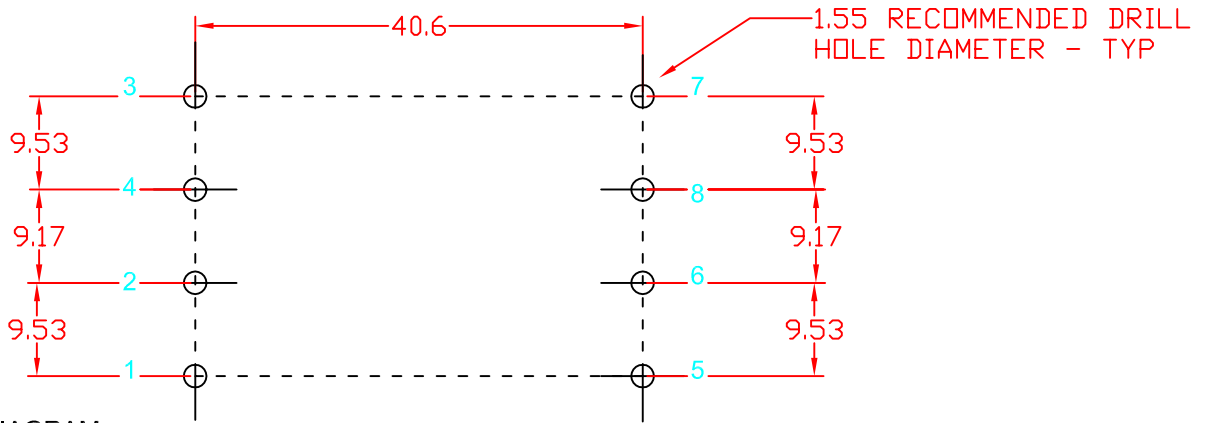
BOTTOM VIEW



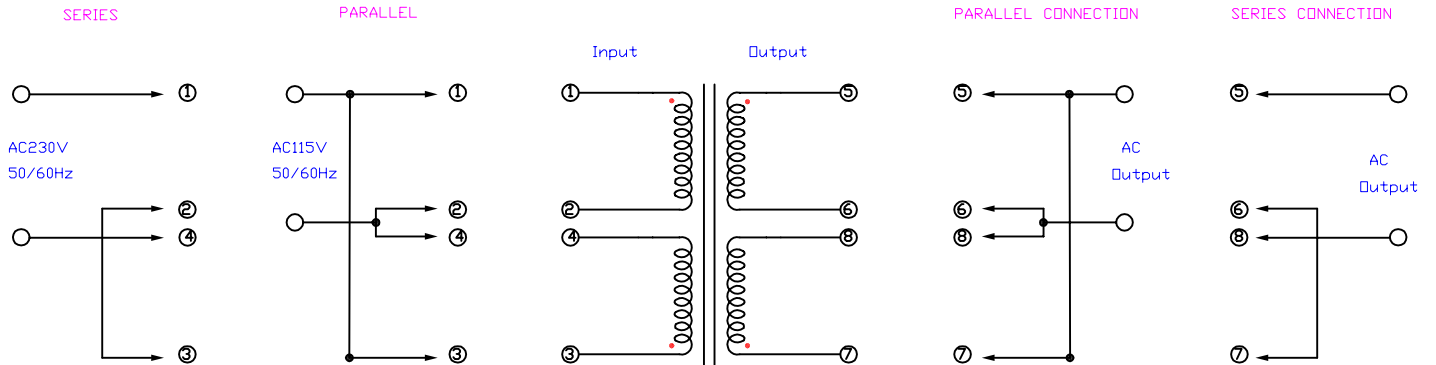
REV.	DESCRIPTION	DRAWN	DATE(M/D/Y)
A	CREATED DRAWING	ZHENG	June 17,2002
A/1	UPDATE DRAWING	WUBX	May 21,2004
A/2	MODIFIED	Winston	Sep 13,2005

TOLERANCE		SCALE NOT 1:1	UNIT mm	DATE (M/D/Y)	MODEL DESCRIPTION	
X	±0.3	DRAWN	ZHENG	June 17,2002	ZETTLER MAGNETICS	MATERIAL Class B 130° C
X.X	±0.2	CHECKED	YUZH	June 17,2002		MODEL: AHF02 SERIES
X.XX	±0.1	APPROVED	Roger Ding	June 17,2002		SHEET: 1 OF 2
THICKNESS	/				TITLE AHF02 SERIES PCD	
REV.	A2	E:\ACAD\VAHF02SERIES\VAHF02SERIESPCD				

3. MOUNTING FOOTPRINT:



4. SCHEMATIC DIAGRAM:



5. ELECTRICAL TABLE:

INPUT	Series / Parallel			
OUTPUT	PARALLEL CONNECTION		SERIES CONNECTION	
PART NO.	AC VOLTS	RMS AMPS	AC VOLTS	RMS AMPS
AHF02010	5V	500mA	10V	250mA
AHF02012	6.3V	400mA	12.6V	200mA
AHF02016	8V	300mA	16V	150mA
AHF02020	10V	250mA	20V	125mA
AHF02024	12V	200mA	24V	100mA
AHF02030	15V	170mA	30V	85mA
AHF02034	17V	150mA	34V	75mA
AHF02040	20V	120mA	40V	60mA
AHF02056	28V	90mA	56V	45mA
AHF02088	44V	56mA	88V	28mA
AHF02120	60V	40mA	120V	20mA
AHF02230	115V	20mA	230V	10mA

REV.	DESCRIPTION	DRAWN	DATE(M/D/Y)
A	CREATED DRAWING	ZHENG	June 17,2002
A/2	MODIFIED	Winston	Sep 13,2005

TOLERANCE		SCALE NOT 1:1	UNIT mm	DATE (M/D/Y)	MODEL DESCRIPTION	
X	± 0.3	DRAWN	ZHENG	June 17,2002	ZETTLER MAGNETICS	MATERIAL Class B 130° C
X.X	± 0.2	CHECKED	YUZHUY	June 17,2002		MODEL: AHF02 SERIES
X.XX	± 0.1	APPROVED	Roger Ding	June 17,2002		SHEET: 2 OF 2
THICKNESS	/					
REV.	A2	E:\ACAD\VAHF02SERIES\VAHF02SERIESPCD			TITLE AHF02 SERIES PCD	