

**TRANSFORMER, POWER, PCB 5.0VA**  
**DUAL PRIMARIES AND DUAL SECONDARIES**

PAGE REV	DESCRIPTION	DATE	BY
A0	CREATED	2002-08-23	ZHENG
B0	Updated PCD	2012-09-14	ye
B1	Updated PCD	2014-01-24	ye
B2	Modify MECHANICAL SPECIFICATIONS	2014-05-06	ye
B3	Modify ELECTRICAL SPECIFICATIONS, Modify Pin length from "4.75 min" to "3.5± 0.5"	2014-07-04	ye
B4	Modify ELECTRICAL SPECIFICATIONS	2014-07-09	ye
B5	Modify ELECTRICAL SPECIFICATIONS	2015-02-06	ye

**1. ELECTRICAL SPECIFICATIONS:**

**A. Input Voltage and Frequency:**

115/230V± @ 50/60 Hz

**B. Secondary Voltage: See Electrical Table**

**C. Temperature Rise: 45° C MAX allowed.**

**D. Insulation Resistance:**

100M OHM MIN @ 500VDC. PRI to SEC. PRI to CORE

100M OHM MIN @ 500VDC. SEC. to CORE

**E. Hi-Pot: 4200Vrms 1 minute @ Pri. to Sec. ▲**

4200Vrms 1 minute @ Pri. to Core

4200Vrms 1 minute @ Sec. to Core

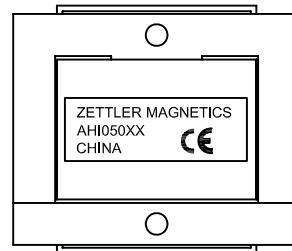
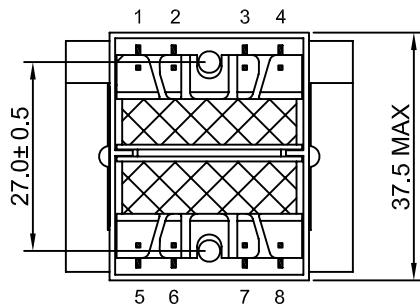
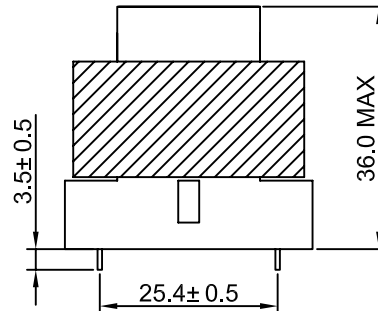
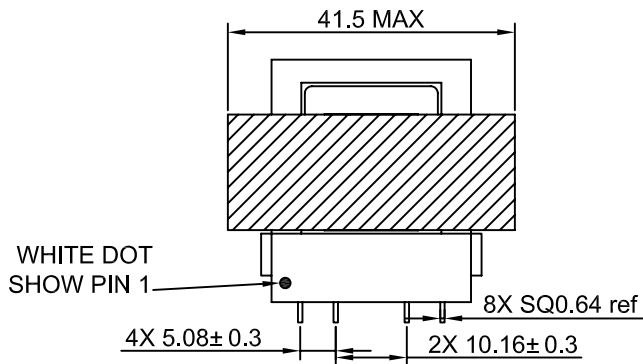
**F. Safety:**

Insulation System Designation ZM130-7, Class B, UL File No.177235

Constructed to meet UL 5085 -3 Class 2

CE Declaration of Conformity: IEC EN61558-1

**2. MECHANICAL SPECIFICATIONS:**



UNIT MM	TOLERANCE X.X = ±0.5 X.XX = ±0.3 ANG = -
3RD ANGLE 	
SCALE:	DATA
DRAWN: ye	2015-02-06
CHECKED:	
APPROVED:	

**ZETTLER MAGNETICS**

TITLE: POWER TRANSFORMER, PCB 5.0VA

PART NO:

**AH1050 SERIES**

ZM Project:

Customers p/n:

SPEC REV: B/5

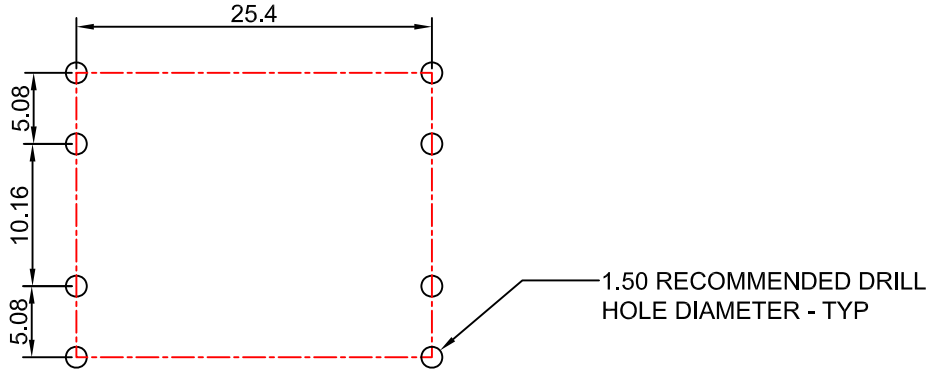
SH NO: 1/2

Web: [www.zettlermagnetics.com](http://www.zettlermagnetics.com)

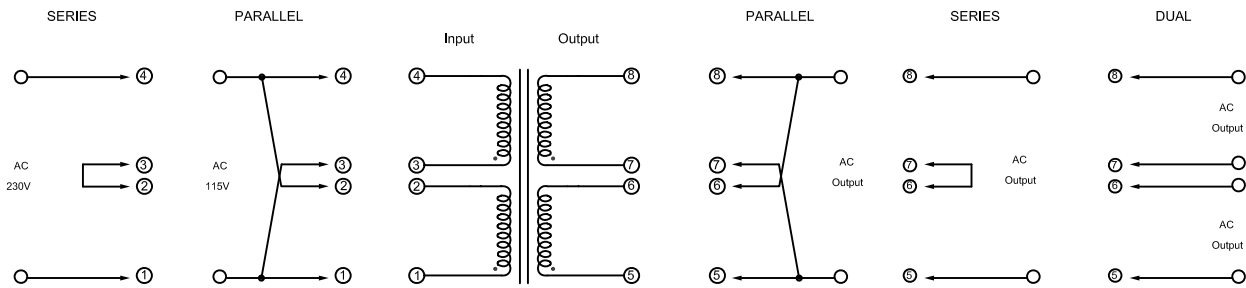
E-mail: [sales@zettlermagnetics.com](mailto:sales@zettlermagnetics.com)

PAGE REV	DESCRIPTION	DATE	BY
A0	CREATED	2002-08-23	ZHENG
B0	Updated PCD	2012-09-14	ye
B1	Updated PCD	2014-01-24	ye
B3	Add dual output to ELECTRICAL TABLE	2014-07-04	ye

3. MOUNTING FOOTPRINT:



4. SCHEMATIC DIAGRAM:



5. ELECTRICAL TABLE:

INPUT	SERIES (230V) / PARALLEL (115V)					
	PARALLEL CONNECTION		SERIES CONNECTION		DUAL OUTPUT	
OUTPUT	AC VOLTS	RMS AMPS	AC VOLTS	RMS AMPS	AC VOLTS	RMS AMPS
AHI05010	5V	1.0A	10V	0.5A	2 x 5V	2 x 0.5A
AHI05012	6.3V	0.8A	12.6V	0.4A	2 x 6.3V	2 x 0.4A
AHI05016	8V	0.6A	16V	0.3A	2 x 8V	2 x 0.3A
AHI05020	10V	0.5A	20V	0.25A	2 x 10V	2 x 0.25A
AHI05024	12V	0.42A	24V	0.21A	2 x 12V	2 x 0.21A
AHI05028	14V	0.36A	28V	0.18A	2 x 14V	2 x 0.18A
AHI05036	18V	0.28A	36V	0.14A	2 x 18V	2 x 0.14A

UNIT MM	TOLERANCE X.X = ±0.5 X.XX = ±0.3 ANG = -
3RD ANGLE 	
SCALE:	DATA
DRAWN: ye	2015-02-06
CHECKED:	
APPROVED:	

**ZETTLER MAGNETICS**

Web: [www.zettlermagnetics.com](http://www.zettlermagnetics.com)  
E-mail: [sales@zettlermagnetics.com](mailto:sales@zettlermagnetics.com)

TITLE: POWER TRANSFORMER, PCB 5.0VA		ZM Project:		SPEC REV: B/5
PART NO: AHI050 SERIES		Customers p/n:		SH NO: 2/2